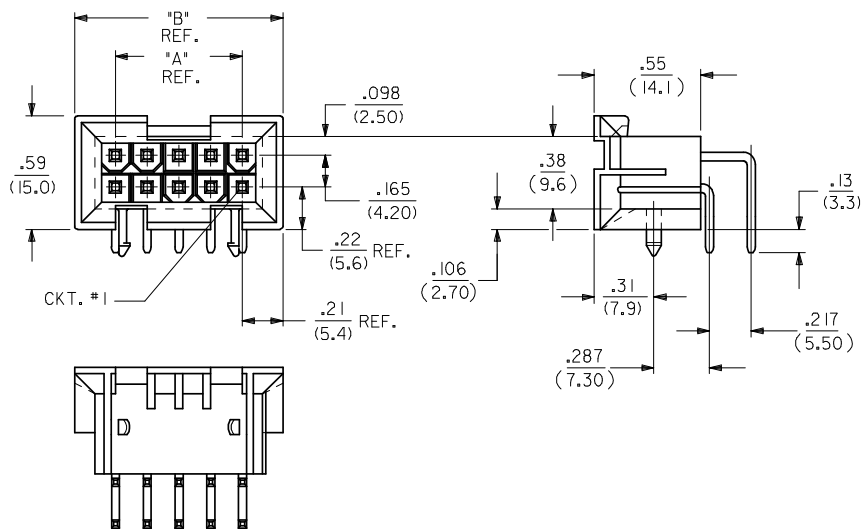


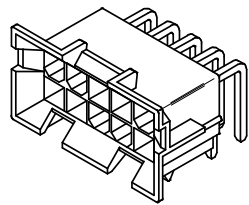
CIRCUIT SIZE	DIM. "A"	DIM. "B"
6	.331 (8.40)	.76 (19.2)
8	.496 (12.60)	.92 (23.4)
10	.661 (16.80)	1.09 (27.6)
12	.827 (21.00)	1.25 (31.8)
14	.992 (25.20)	1.42 (36.0)
16	1.157 (29.40)	1.58 (40.2)
18	1.323 (33.60)	1.75 (44.4)
20	1.488 (37.80)	1.91 (48.6)
22	1.654 (42.00)	2.08 (52.8)
24	1.819 (46.20)	2.24 (57.0)



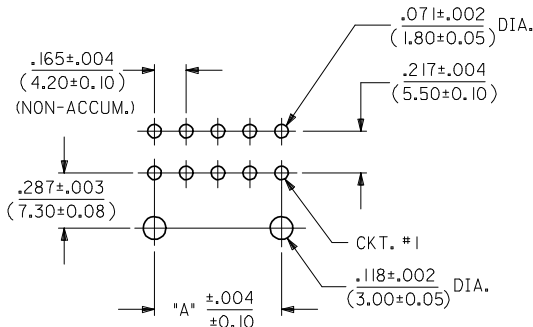
NOTES:

- MATERIAL: HOUSING: "A" = NYLON 6/6, U.L. 94V-2, COLOR: NATURAL. "B" = NYLON 6/6, U.L. 94V-0, COLOR: NATURAL. TERMINAL: BRASS ALLOY 260.
- TERMINAL PLATING:
 - .000100/(.00254) MIN. BRIGHT TIN OVER .000050/(.00127) MIN. NICKEL OVERALL.
 - .000030/(.00076) MIN. GOLD OVER .000050/(.00127) MIN. NICKEL OVERALL.
 - .000100/(.00254) MIN. MATTE TIN OVER .000050/(.00127) MIN. NICKEL OVERALL.
 - .000050/(.00127) MIN. GOLD OVER .000050/(.00127) MIN. NICKEL OVERALL.
 - .000030/(.00076) MIN. GOLD AND .000100/(.00254) MIN. MATTE TIN OVER .000050/(.00127) MIN. NICKEL OVERALL.

*THE PRIMARY SHIPPING CARTON WILL BE LABELED "COMPLIANT TO RoHS DIRECTIVE 2002/95/EC AND ELV ANNEX II OF DIRECTIVE 2000/53/EC." CARTONS WITHOUT THIS LABEL MAY CONTAIN PRODUCT WITH TIN-LEAD PLATING.
- PRODUCT SPECIFICATION AND PROCESSING PARAMETERS: SEE PS-5556-002
- PACKAGING SPECIFICATION: PK-42404-002.
- 4-24 CKT. PARTS MATE WITH MINI-FIT JR. RECEPTACLES #5557, #42385 AND #42474. 2 CKT. PART MATES WITH #42385 AND #42474 ONLY.
- PART ALLOWS FOR UP TO .100/(2.54) MISALIGNMENT WITH MATING RECEPTACLE IN ANY DIRECTION. SEE MATING CONNECTOR DRAWINGS FOR SPECIFIC ALLOWANCES.
- CONNECTOR ASSEMBLIES ARE NOT TO BE MATED OR UNMATED WHILE CIRCUITS ARE LIVE.
- A MAXIMUM TOLERANCE OF .050/(1.27) ALLOWS FOR 2 POINTS OF ELECTRICAL CONTACT. A MAXIMUM TOLERANCE OF .020/(.51) ALLOWS FOR 4 POINTS OF CONTACT.
- DISCOLORATION IN THE BANDOLIER CARRIER AREA OF THE PIN IS INHERENT TO THE PLATING PROCESS AND IS DUE TO THE MASKING EFFECT OF THE CARRIER. THIS DISCOLORATION IS IN A NON-FUNCTIONAL AREA OF THE PIN AND WILL NOT AFFECT THE PERFORMANCE OF THE HEADER ASSEMBLY.
- PART IS NOT DESIGNED FOR CURRENT SHARING.
- PART IS NOT INTENDED TO PROVIDE ANY ALIGNMENT OF CUSTOMER COMPONENTS OR MODULES, SUCH AS POWER SUPPLIES AND CHASSIS.
- PARTS CONFORM TO CLASS "B" REQUIREMENTS OF COSMETIC SPECIFICATION PS-45499-002.*



A-42404-****



RECOMMENDED HOLE LAYOUT FOR .070/(1.78) MAX. THICK P.C. BOARD VIEWED FROM COMPONENT SIDE

LEGEND:

BASE NUMBER: A-42404-****

CKT. SIZE: (02-24)

HOUSING MAT'L: (SEE NOTE 1)

TERMINAL PLATING: (SEE NOTE 2)

Part No.	Part Description	Quantity	Material	Plating
---B2, ---B4	42474-***2I, 5556-PBGS*P	94V-0	PHOS. BRZ.	GOLD
---A2, ---A4	42474-***1I, 5556-PBGS*P	94V-2		
---B1, ---B3	42474-***2I, 5556-PBS*P	94V-0	PHOS. BRZ.	TIN
---A1, ---A3	42474-***1I, 5556-PBS*P	94V-2		
---B2, ---B4	42474-***2I, 5556-GS*P	94V-0	BRASS	GOLD
---A2, ---A4	42474-***1I, 5556-GS*P	94V-2		
---B1, ---B3	42474-***2I, 5556-S*P	94V-0	BRASS	TIN
---A1, ---A3	42474-***1I, 5556-S*P	94V-2		
---B2, ---B4	A-42385-***D2	94V-0	PHOS. BRZ.	GOLD
---A2, ---A4	A-42385-***C2	94V-2		
---B1, ---B3	A-42385-***D1	94V-0	PHOS. BRZ.	TIN
---A1, ---A3	A-42385-***C1	94V-2		
---B2, ---B4	A-42385-***B2	94V-0	BRASS	GOLD
---A2, ---A4	A-42385-***A2	94V-2		
---B1, ---B3	A-42385-***B1	94V-0	BRASS	TIN
---A1, ---A3	A-42385-***A1	94V-2		

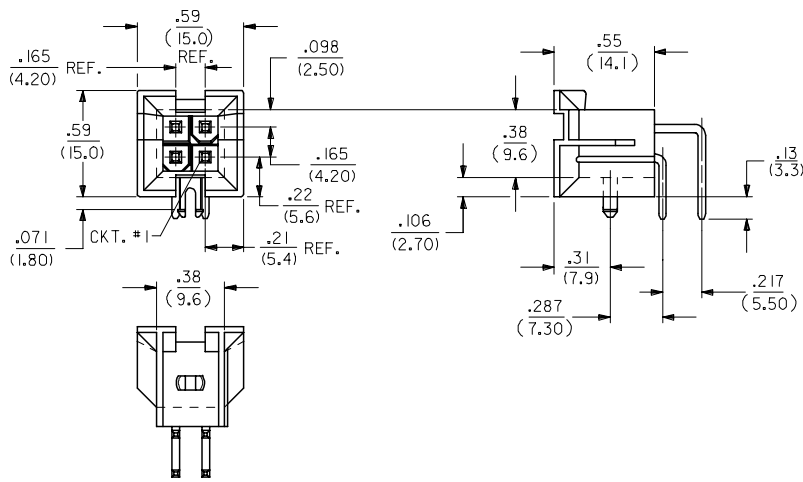
Part No.	Part Description	Material	Term. Mat'l.	Plating
R.A. HEADER A-42404	MATING CONNECTOR	HSG. MAT'L.	TERM. MAT'L.	PLATING
MATING CONNECTOR FEATURES				

REVISE NOTES EC NO: UCP2008-3019 DRAWING: DRWINGVERILL CHKD: JEBEL APPR: FSM/TH	2008/08/21 2008/08/22 2008/08/22	DESCRIPTION	QUALITY SYMBOLS ▽=0 ▽=0
R1	REV		

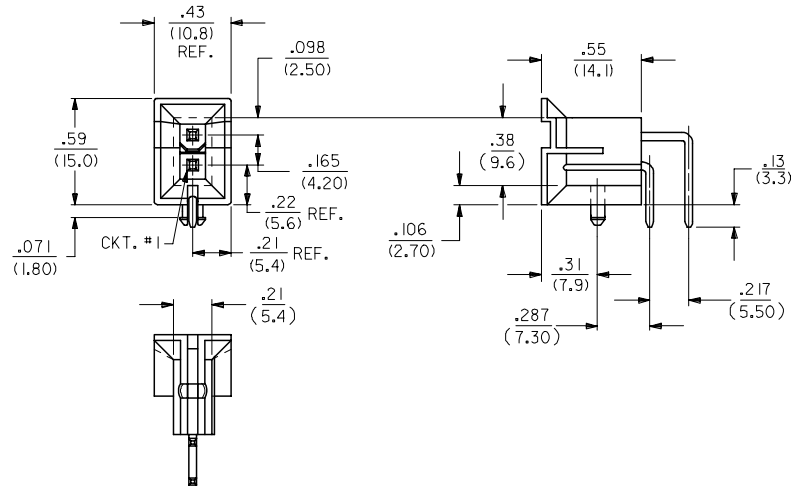
GENERAL TOLERANCES (UNLESS SPECIFIED)		DIMENSION STYLE	
		IN/MM	
		mm	INCH
4 PLACES ± ---	± ---		
3 PLACES ± ---	± .010		
2 PLACES ± 0.25	± .015		
1 PLACE ± 0.38	± ---		
ANGULAR ± 1/2°			
DRAFT WHERE APPLICABLE MUST REMAIN WITHIN DIMENSIONS			

DRAWN BY RWK	DATE 2/7/89
CHECKED BY RJF	DATE 2/7/89
APPROVED BY RAS	DATE 2/7/89
MATERIAL NO.	DOCUMENT NO.
SEE SHTS 3&4	SDA-42404-****

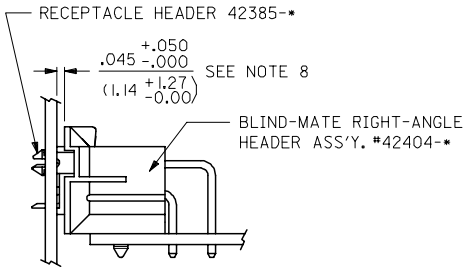
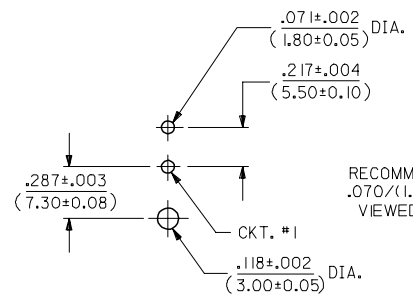
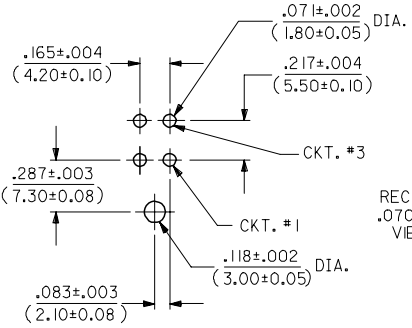
SCALE 2:1	DESIGN UNITS METRIC	THIRD ANGLE PROJECTION
TITLE MINI-FIT JR. 2-24 CKT RIGHT ANGLE HEADER ASSY (BLIND MATE)		
MOLEX MOLEX INCORPORATED		
SHEET NO. 1 OF 4		



A-42404-04**



A-42404-02**


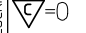


SEE SHEET 1 FC NO: UCP2006-1780 DRW:ADRAINOL 2006/02/03 CHKD:GPOLGAR 2006/02/03 APPR:ICOMERCJ 2006/02/06 REV:	QUALITY SYMBOLS ▽=0 ▽=0	GENERAL TOLERANCES (UNLESS SPECIFIED) 4 PLACES ± --- ± --- 3 PLACES ± --- ± .01 2 PLACES ± 0.25 ± .015 1 PLACE ± 0.38 ± --- ANGULAR ±1/2°	DIMENSION STYLE IN/MM DRAWN BY: RWK DATE: 1989/02/07 CHECKED BY: RJF DATE: 1989/02/07 APPROVED BY: RAS DATE: 1989/02/07	SCALE: 2:1 DESIGN UNITS: METRIC THIRD ANGLE PROJECTION	TITLE: MINI-FIT JR. 2-24 CKT RIGHT ANGLE HEADER ASSY (BLIND MATE) MOLEX INCORPORATED	MATERIAL NO. DOCUMENT NO. SDA-42404-**** SHEET NO. 2 OF 4
	DRAFT WHERE APPLICABLE MUST REMAIN WITHIN DIMENSIONS		SEE SHTS 3&4		THIS DRAWING CONTAINS INFORMATION THAT IS PROPRIETARY TO MOLEX INCORPORATED AND SHOULD NOT BE USED WITHOUT WRITTEN PERMISSION	

CORRECT PLATING
EC NO: UCP2008-3019
DRAWING: DRWNGAVERILL 2008/08/21
CHKD: J.BELL 2008/08/22
APPR: FSM/TH 2008/08/22

REV: R1

DESCRIPTION

QUALITY SYMBOLS
 = 0
 = 0

GENERAL TOLERANCES (UNLESS SPECIFIED)

	mm	INCH
4 PLACES	± .005	± .0004
3 PLACES	± .005	± .0004
2 PLACES	± .005	± .0004
1 PLACE	± .005	± .0004

ANGULAR ±1/2°

DRAFT WHERE APPLICABLE
MUST REMAIN WITHIN DIMENSIONS

DIMENSION STYLE
IN/MM

DRAWN BY: RWK DATE: 1989/02/08
 CHECKED BY: R.J.F. DATE: 1989/02/08
 APPROVED BY: RAS DATE: 1989/02/08

MATERIAL NO. SEE CHARTS
 SIZE C THIS DRAWING CONTAINS INFORMATION THAT IS PROPRIETARY TO MOLEX INCORPORATED AND SHOULD NOT BE USED WITHOUT WRITTEN PERMISSION

SCALE: ---
DESIGN UNITS: METRIC
THIRD ANGLE PROJECTION

TITLE: **MINI-FIT JR. 2-24 CKT
RIGHT ANGLE HEADER ASSY
(BLIND MATE)**

MOLEX INCORPORATED

DOCUMENT NO. SDA-42404-****
SHEET NO. 3 OF 4

C	D	E	F	G	H	I	J		
PART NUMBER	ENG. NUMBER	CKT. SIZE	HOUSING MATERIAL	PLATING (NOTE 5)	PART NUMBER	ENG. NUMBER	CKT. SIZE	HOUSING MATERIAL	PLATING (NOTE 5)
NOT TOOLED	A-42404-02A1	2	94V-2	BRIGHT TIN OVER NICKEL	NOT TOOLED	A-42404-02A3	2	94V-2	MATTE TIN OVER NICKEL
I5-24-6040	-04A1	4			NOT TOOLED	-04A3	4		
I5-24-6060	-06A1	6			NOT TOOLED	-06A3	6		
NOT TOOLED	-08A1	8			NOT TOOLED	-08A3	8		
I5-24-6100	-10A1	10			NOT TOOLED	-10A3	10		
NOT TOOLED	-12A1	12			NOT TOOLED	-12A3	12		
I5-24-6140	-14A1	14			NOT TOOLED	-14A3	14		
NOT TOOLED	-16A1	16			NOT TOOLED	-16A3	16		
I5-24-6180	-18A1	18			NOT TOOLED	-18A3	18		
NOT TOOLED	-20A1	20			NOT TOOLED	-20A3	20		
NOT TOOLED	-22A1	22			NOT TOOLED	-22A3	22		
I5-24-6240	A-42404-24A1	24	94V-2	BRIGHT TIN OVER NICKEL	NOT TOOLED	A-42404-24A3	24	94V-2	MATTE TIN OVER NICKEL
NOT TOOLED	A-42404-02A2	2	94V-2	30 M.I. GOLD	NOT TOOLED	A-42404-02A4	2	94V-2	50 M.I. GOLD
I5-24-9043	-04A2	4			I5-24-9046	-04A4	4		
I5-24-9063	-06A2	6			NOT TOOLED	-06A4	6		
NOT TOOLED	-08A2	8			NOT TOOLED	-08A4	8		
I5-24-9103	-10A2	10			NOT TOOLED	-10A4	10		
NOT TOOLED	-12A2	12			NOT TOOLED	-12A4	12		
I5-24-9143	-14A2	14			NOT TOOLED	-14A4	14		
NOT TOOLED	-16A2	16			NOT TOOLED	-16A4	16		
I5-24-9183	-18A2	18			NOT TOOLED	-18A4	18		
NOT TOOLED	-20A2	20			NOT TOOLED	-20A4	20		
NOT TOOLED	-22A2	22			NOT TOOLED	-22A4	22		
I5-24-9243	A-42404-24A2	24	94V-2	30 M.I. GOLD	NOT TOOLED	A-42404-24A4	24	94V-2	50 M.I. GOLD
NOT TOOLED	A-42404-02B1	2	94V-0	BRIGHT TIN OVER NICKEL	NOT TOOLED	A-42404-02B4	2	94V-0	50 M.I. GOLD
I5-24-9044	-04B1	4			NOT TOOLED	-04B4	4		
I5-24-9064	-06B1	6			NOT TOOLED	-06B4	6		
NOT TOOLED	-08B1	8			NOT TOOLED	-08B4	8		
I5-24-9104	-10B1	10			NOT TOOLED	-10B4	10		
NOT TOOLED	-12B1	12			NOT TOOLED	-12B4	12		
I5-24-9144	-14B1	14			NOT TOOLED	-14B4	14		
NOT TOOLED	-16B1	16			NOT TOOLED	-16B4	16		
I5-24-9184	-18B1	18			NOT TOOLED	-18B4	18		
NOT TOOLED	-20B1	20			NOT TOOLED	-20B4	20		
NOT TOOLED	-22B1	22			NOT TOOLED	-22B4	22		
I5-24-9244	A-42404-24B1	24	94V-0	BRIGHT TIN OVER NICKEL	NOT TOOLED	A-42404-24B4	24	94V-0	50 M.I. GOLD
NOT TOOLED	A-42404-02B2	2	94V-0	30 M.I. GOLD					
I5-24-9045	-04B2	4							
I5-24-9065	-06B2	6							
NOT TOOLED	-08B2	8							
I5-24-9105	-10B2	10							
NOT TOOLED	-12B2	12							
I5-24-9145	-14B2	14							
I5-24-9165	-16B2	16							
I5-24-9185	-18B2	18							
NOT TOOLED	-20B2	20							
NOT TOOLED	-22B2	22							
I5-24-9245	A-42404-24B2	24	94V-0	30 M.I. GOLD					